



## **APEX™ Screeners provide precise Seed Cleaning and Sizing Performance in a Small Footprint**

Rotex Screeners have been the standard for Grain Cleaning for over 100 years. Now with the development of the Apex you can meet the demanding specifications of Seed Cleaning and Sizing applications at high process rates in a smaller footprint than other separation technologies.

### **Apex benefits:**

- Quickly change over from cleaning to sizing or to handle different sizes
- No tools required to change out decks
- Aspiration positioned to clean only the finished product, not the screenings
- Aspiration chamber designed for easy inspection and adjustment of the liftings
- The Rotex Gyrotory Reciprocating in Motion ensures your material has more contact with the screen and is more effectively separated compared with other technologies.

### **FREE MATERIAL ANALYSIS**

**To help achieve the highest yields with consistent on-spec product:**

- Free confidential, accurate laboratory testing
- Comprehensive separation analysis
- In-depth sieve analysis
- Our experienced Lab Technicians and Application Engineers will optimize your Rotex machine size, screen openings and machine settings to ensure the most accurate separations at the highest possible rates.

**“I have used Rotex equipment for a number of years. The Apex machine has resulted in impressive cost savings due to its ergonomic design.”**

*Chief Engineer, Food Processing Manufacturer*

➤ **Over 500 Apex Screener installations worldwide**



**Tool-Less Access**

No requirement for a wrench, these access door handles provide quick, easy access to screens



**Easy screen changes**

Large doors on the side of the machine allow easy access for screen changes of less than 2 minutes per panel



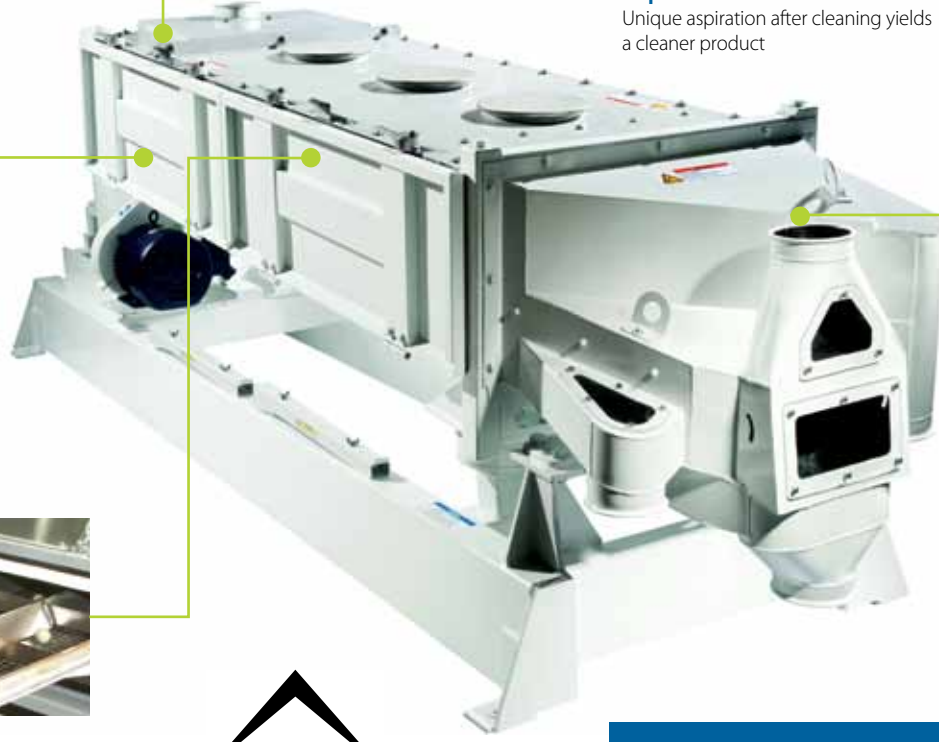
**Simple Cleanout**

Bouncing balls keep deck openings clear, maintaining efficiency and capacity



**Aspirator**

Unique aspiration after cleaning yields a cleaner product



**Rotex – The best source for parts and service!**

**Applications include: Corn (Maize), Soybeans (Soya), Wheat, Peas, Rice, Peanuts, Almonds, Alfalfa, Milo, Canola, Sunflower**

**Benefits of using an Apex™ for High Performance Seed Cleaning and Grading**

**Benefits:**

- Effective separation of splits and wholes by keeping the seeds in contact with the screen surface
- Effective blinding control for higher rates and more uptime
- Typically 2 to 3 times more screen area capacity compared with vibrating technologies
- Remove splits without damage to the seed
- Easy inspection and cleanout

**Benefits with Aspiration:**

- Gyrotory motion naturally lifts light material to the top of the bed for easy removal
- Spreading presents a uniform bed to the aspiration chamber
- Gyrotory Reciprocating Motion enables APEX to employ a simple aspiration design for lowest operating cost